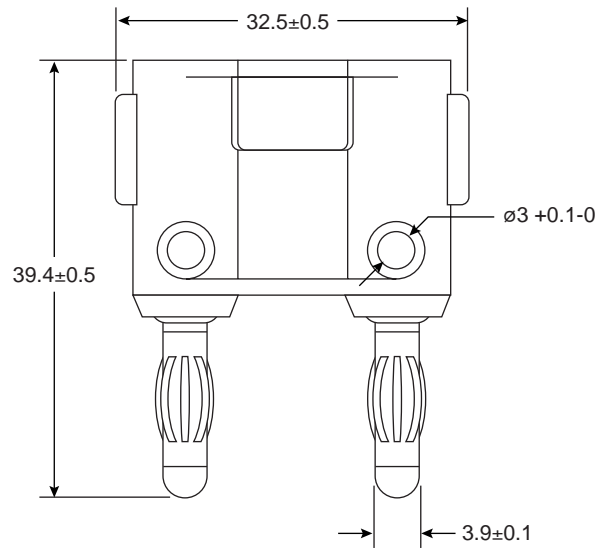
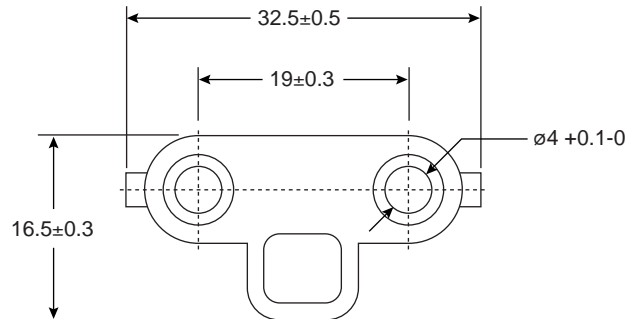


Dual Test Adapter

174-R884



Dual Test Adapter



Dimensions: mm

Specifications	
Rating:	10A
Insulation Resistance:	500VDC 100MΩ Min.
Dielectric Strength:	1500VAC 1 Minute
Temperature Range:	-20°C ~ +80°C

Material Specifications	
Plug:	Nickel Plated Heat Treated Beryllium Copper
Handle:	ABS

Date Last Revised: 08-24-04

Available from Mouser Electronics
1-800-346-6873
www.mouser.com

KC-300132

174-R884